



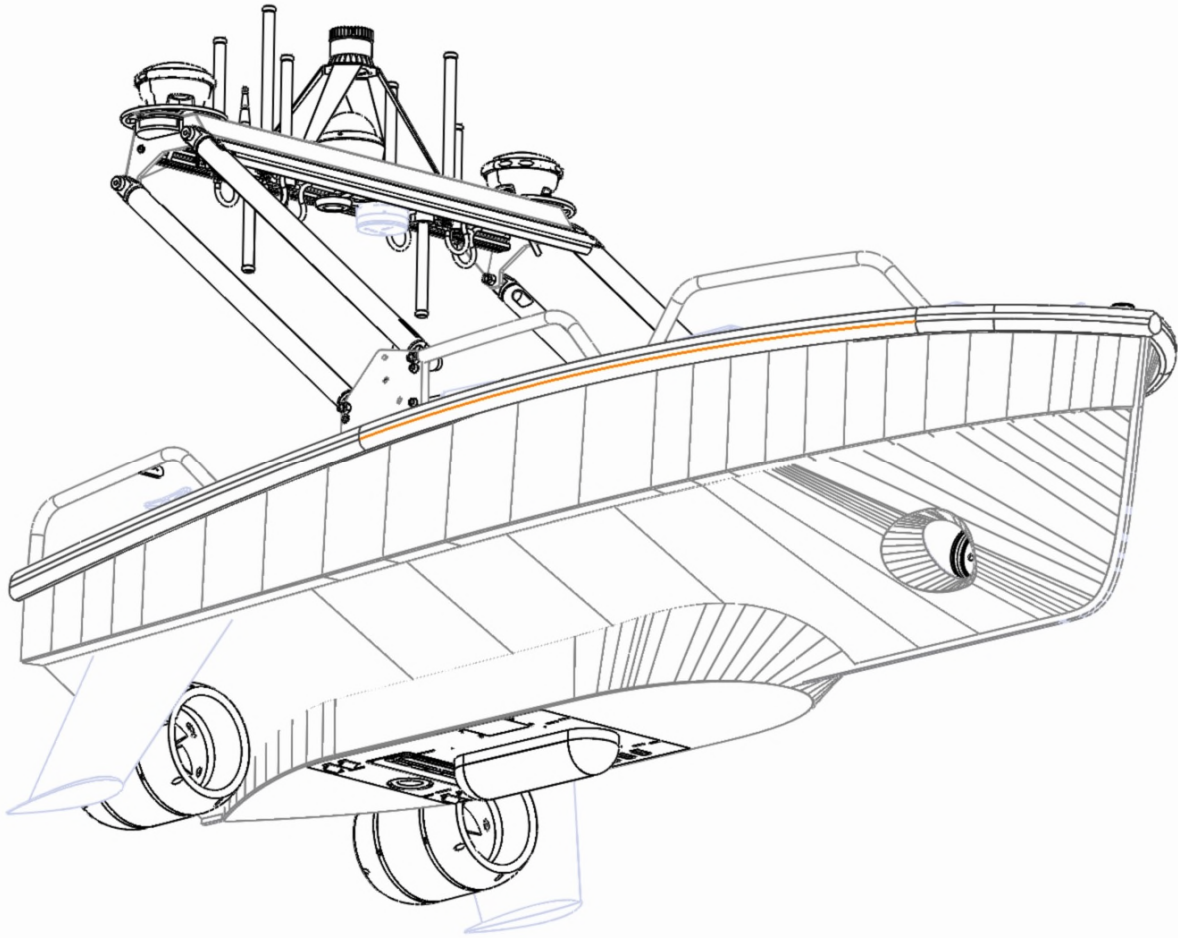
## Equipment

# Unmanned Survey Vessel VO:X Metiri



Length 2.50m, width 1.10m, height 1.78m (max) 1.08m (min) draught 0.4m.

Weight 200 kg, maximum payload 100kg, standard payload 75kg. Construction 2020 Demcon Unmanned Systems



Electrical propulsion

3 fixed Rim Driven thrusters

Zero emission, very quiet.

Autonomous survey

Loaded mission is automatically sailed

Survey endurance

20 km survey on a single charge in good conditions. Wind 0-6 Bftd

Standard survey equipment

Applanix INS, R2Sonic 2022, Valeport Swift on profiling winch Hydraulic crane with a 4m reach to launch the vessel

Dedicated boat trailer

### Contact

Hubrecht Koman

Schaardijk 211

3063 NH Rotterdam 2

The Netherlands

T t+31 88 8268199

E

Hubrecht.koman@vanoord.com

I www.vanoord.com